

**BRUSHLESS LOW SPEED**

# LOW SPEED GEARLESS DIRECT DRIVE TIMBER MOTOR

This AC-PM / BLDC Motor is appropriate for traction and other applications which require high torque, low RPMs and Silent Operation.



## FEATURES

### OPTIMAL PERFORMANCE

When paired with an ASI Controller the Accelerated Motor provides a powerful and customizable drive.

### BUILT IN TEMPERATURE SENSOR

Continually monitors the Motor to protect from overheating and damage.

### MINIMAL MAINTENANCE

No Brushes or commutator requiring maintenance or replacement.

### POWER & TORQUE

With 8KW, 220Nm - 360Nm of Torque and weighing only 42lbs, our Motor has the highest Power and Torque density in the industry.

### MACHINE WOUND STATOR

Ensures that the Motor is built to the same high standards every time!

### EFFICIENCY

The Timber AC-PM Brushless Permanent Magnet Motor provides the highest efficiency through the full operating range of the motor.



Engineered in Canada



**ASI** ACCELERATED™  
SYSTEMS INC.

519.342.2507 |

[www.accelerated-systems.com](http://www.accelerated-systems.com)

12.2019 © Accelerated Systems Inc. V.1.0

Specifications subject to change without notice.

## BRUSHLESS LOW SPEED

# AC-PM DIRECT DRIVE TIMBER MOTOR

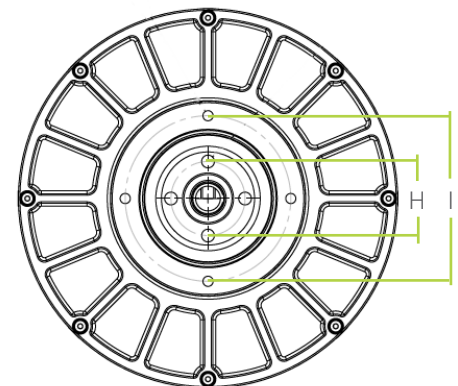
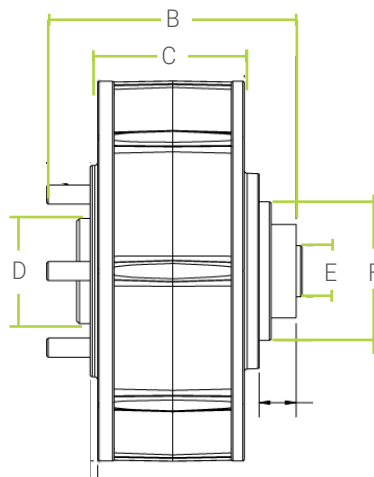
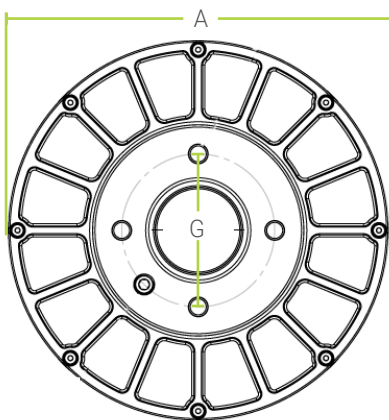
SPECIFICATIONS	
MOTOR TYPE	Brushless Reversing PM Direct Drive
VOLTAGE	48V - 72V
OUTPUT POWER	5 KW
TORQUE (PEEK)	350 Nm
MAX RPM (@ VOLTAGE)	500 RPM @48V
MAX. EFFICIENCY	88%
SPEED RANGE	0 - 25 mph / 0 - 40 kph
BASE SPEED	200 or 350 rpm
APPLICATIONS	Traction
PHASE RESISTANCE	4 milli-ohm



MOTOR DIMENSIONS			
		MM	IN
MOTOR DIAMETER	A	252	9.9
MOTOR WIDTH (IN. STUDS)	B	132	5.2
MOTOR WIDTH ( MAIN BODY)	C	98	3.9
WHEEL MOUNTING PILOT	D	69.9	2.75
MOTOR MOUNTING PILOT	E	34	1.3
DISC BRAKE PILOT	F	92	3.6
MOTOR WEIGHT		19 kg	42 lbs

HARDWARE SPECIFICATIONS					
		BOLT /HOLE SIZE	PATTERN		QTY
			MM	IN	
WHEEL STUDS BOLTS	G	1/2 - 20 x 1.15" UNF	101	4	4
MOTOR MOUNTING	H	M10 x 1.50 mm	49.2	1.94	4
DISK BRAKE MOUNTING	I	M8 X 1.25 mm	110	4.33	4
CABLE LENGTH (W/CONNECTOR)					1

\*DIMENSIONS ARE +/- .01" OR



\* Also available High Speed Option



519.342.2507

www.accelerated-systems.com

12.2019 © Accelerated Systems Inc. V.1.0

Specifications subject to change without notice.